

# BERING Sel

SALT CHLORINATOR

SALT WATER ELECTROLYSIS ESSENTIALS





# BERING Sel

## SALT CHLORINATOR

m<sup>3</sup>  
0 - 35

TECH  
8 000 h

RESIDENTIAL  
POOL

## SALT WATER ELECTROLYSIS ESSENTIALS

### Salt water chlorination basics

Bering Sel salt water chlorinator is like a first dive into electrolysis. It gives you the basics of this technology for a fair price.

### Core features

Maintenance is made easier thanks to its self-cleaning cell. Chlorination can be adjusted to the disinfection needs with 3 thresholds: 50% - 75% - 100 %.

### One fits all

Bering Sel has 1 cell and 1 chlorination output: for pools up to 35 m<sup>3</sup>.



## RANGE



References	Production	Pool Volume*
E-Next	Salt electrolysis	Up to
<b>64315</b>	8 g / h	35 m <sup>3</sup>

\* Treated water volume based on 8 h/day of use along with filtration with a water temperature at 25°C (pool volume is <25% if water temp is above 25 °C).

## INTERFACE DESCRIPTION



### POWER PACK



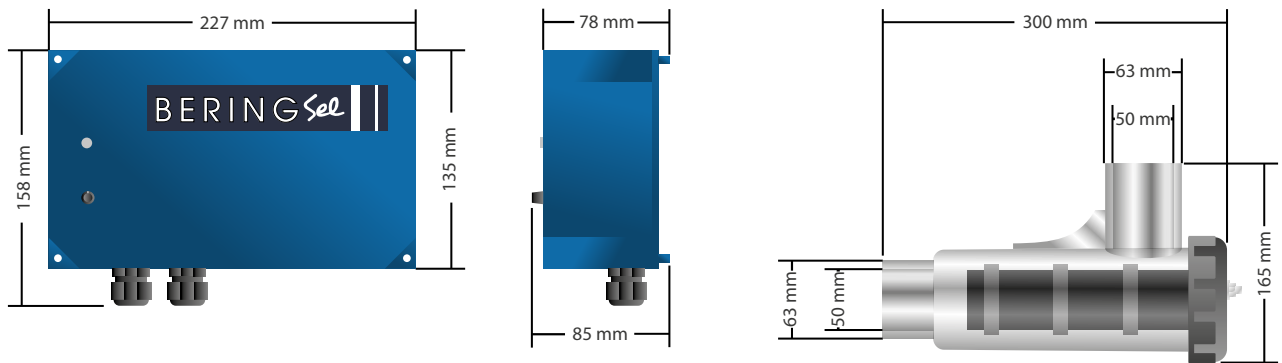
Description	Bering Sel
Input voltage	230 V – 50/60 Hz
Fuse	3.15 A
Production	8 g/h
Pool size (water up to 25°C, max volume -25% above 25°C)	35 m <sup>3</sup>
Salinity	4 g/L (mini / max = 3,2 - 6 g/L)
Water temperature	Max 40°C
Power pack	ABS
Polarity reversal	Yes (4 h)
Production control	0 – 50 – 75 – 100%
Flow detection (gas)	No
Mechanical Flow-Switch	No
Pool cover mode	No
Salt alarm indicator	Yes (operating Led blinks in red)

### CELL



Description	Bering Sel
Electrode (self-cleaning titanium activated)	Tech grade: 8 000 h
Min. flow (m <sup>3</sup> /h)	3
Number of electrode plates	3
Cell body	PVC
Plumbing	Glued PVC Ø63 mm
Maximum pressure	1 Kg/cm <sup>2</sup>
Water temperature	15 – 40°C max

## DIMENSIONS



## INSTALLATION DIAGRAM

